

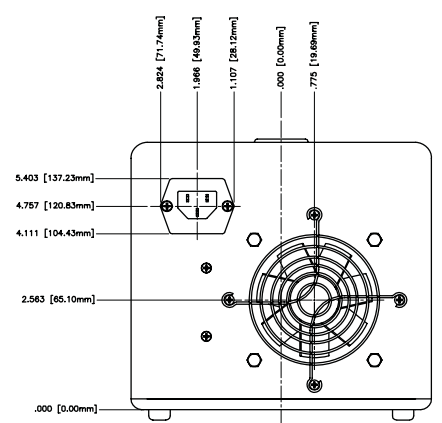
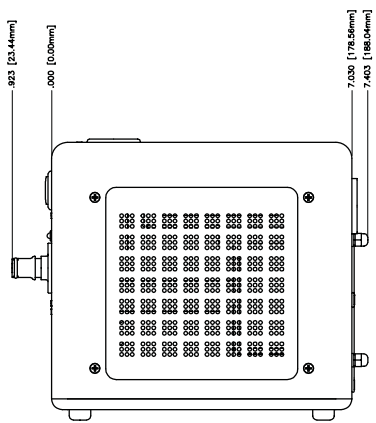
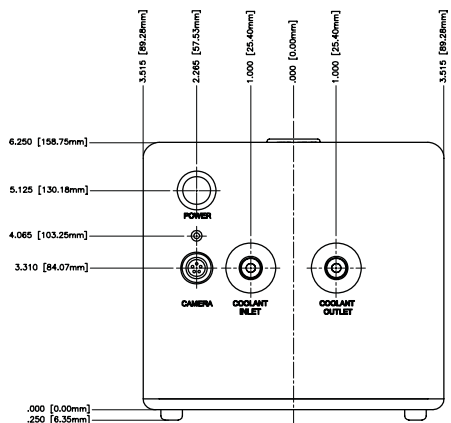
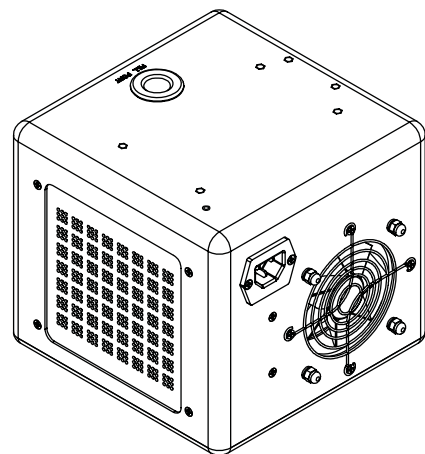
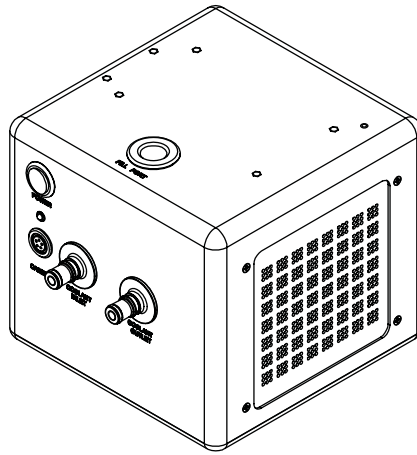
## CoolCUBE



The CoolCUBE from Princeton Instruments/Acton is a compact liquid circulator that is designed exclusively for PIXIS and PhotonMAX line of deep cooled cameras. The self-contained unit not only provides liquid circulation for efficient cooling, but it also incorporates a power supply to power the camera electronics. **The CoolCUBE is ideal for applications that require vibration free and/or thermally stable environments with no air currents around sensitive optics.**

**Applications:** vibration and thermally sensitive imaging, spectroscopy, and x-ray applications

Features/Parameters	Specifications
Cameras supported	PIXIS and PhotonMAX (liquid cooled versions)
Coolant type	Water + Ethylene glycol (50:50 mixture) at room temperature
Coolant connection type	CoolCUBE side: 3/8" CPC No-Spill quick disconnect fittings (Male) Camera side: PIXIS: 1/8" CPC valved quick disconnect fittings (Male) PhotonMAX: 1/4" CPC valved quick disconnect fittings (Female)
Max. coolant head pressure (Vertical distance of camera above the circulator)	3m (10 ft), hoses are supplied.
Minimum flow rate	2.5 liters per minute
Maximum Pressure	22 PSI
Maximum Power output	12V, 12.5A. Appropriate power cable is supplied to operate PIXIS and PhotonMAX cameras.
Power input	120V/220V, 3A
Dimensions (L x W x H)	17.9cm(7.0") x 17.9cm(7.0")x 15.9cm(6.3")  Leave at least 2" around the vents with sufficient free space for proper airflow.
Weight	2.5kg (5.5lb) without coolant; 2.7kg (6lb) with coolant
Operating Environment	+5 °C to +30 °C, non-condensing



Princeton Instruments



www.piaction.com

email: moreinfo@piaction.com  
 USA +1.877.4 PIACTION | Benelux +31 (347) 324989  
 France +33 (1) 60.86.03.65 | Germany +49 (0) 89.660.779.3  
 Japan +81.3.5639.2741 | UK +44 (0) 28.38310171