

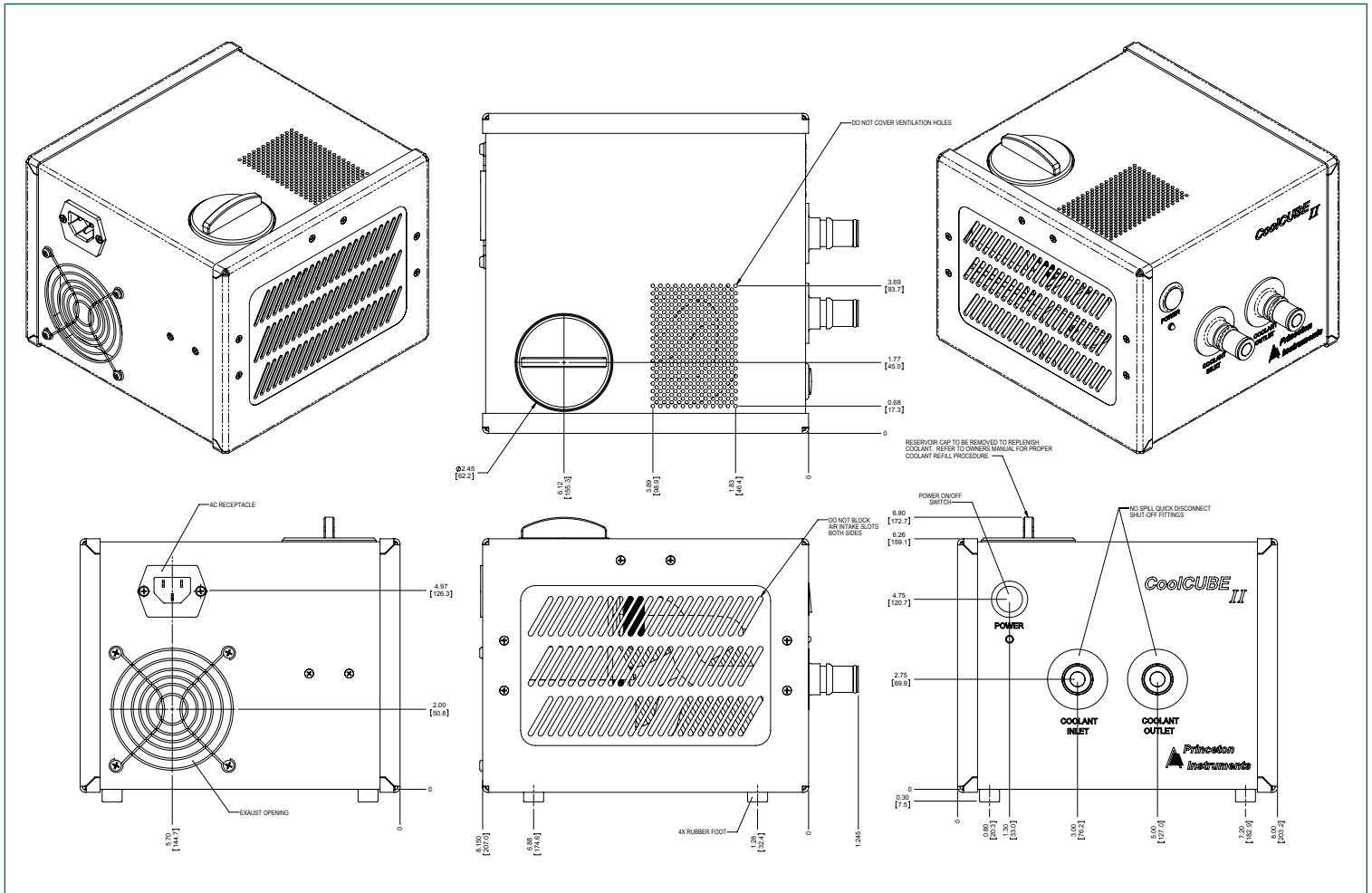
The CoolCUBE II from Princeton Instruments is a compact liquid circulator that is designed exclusively for our PIXIS, ProEM and PI-MAX deep cooled cameras. A self-contained unit which provides liquid circulation for efficient cooling, the CoolCUBE II is ideal for applications that require vibration-free and/or thermally stable environments free of air currents that can interfere with sensitive optics.



FEATURES	SPECIFICATIONS
Cameras supported	PIXIS, ProEM and PI-MAX cameras
Coolant	Water & ethylene glycol (50:50 mixture) at room temperature
Coolant connection type	CoolCUBE II side: 3/8" CPC No-Spill quick disconnect fittings
Maximum coolant head pressure (vertical distance of the camera above the circulator)	3m (10 ft.), hoses are supplied
Minimum flow rate	2.5 liters per minute
Maximum pressure	22 PSI
Power input	120V/220V, 3A
Dimensions (L x W x H)	20.32cm (8.0") x 20.70cm (8.15") x 15.9cm (6.26")
Operating environment	+5°C to +30°C, non-condensing

### Applications:

For vibration and thermally-sensitive imaging, spectroscopy and x-ray applications



### Ordering Information

	Part Number
CoolCUBE II for PIXIS	7567-0002
CoolCUBE II for ProEM	7567-0003
CoolCUBE II for PI-MAX	7567-0004