

The CoolCUBE II from Princeton Instruments is a compact liquid circulator that is designed exclusively for our PIXIS, ProEM-HS, PI-MAX4 and NIRvana deep cooled cameras. A self-contained unit which provides liquid circulation for efficient cooling, the CoolCUBE II is ideal for applications that require vibration-free and/or thermally stable environments free of air currents that can interfere with sensitive optics.

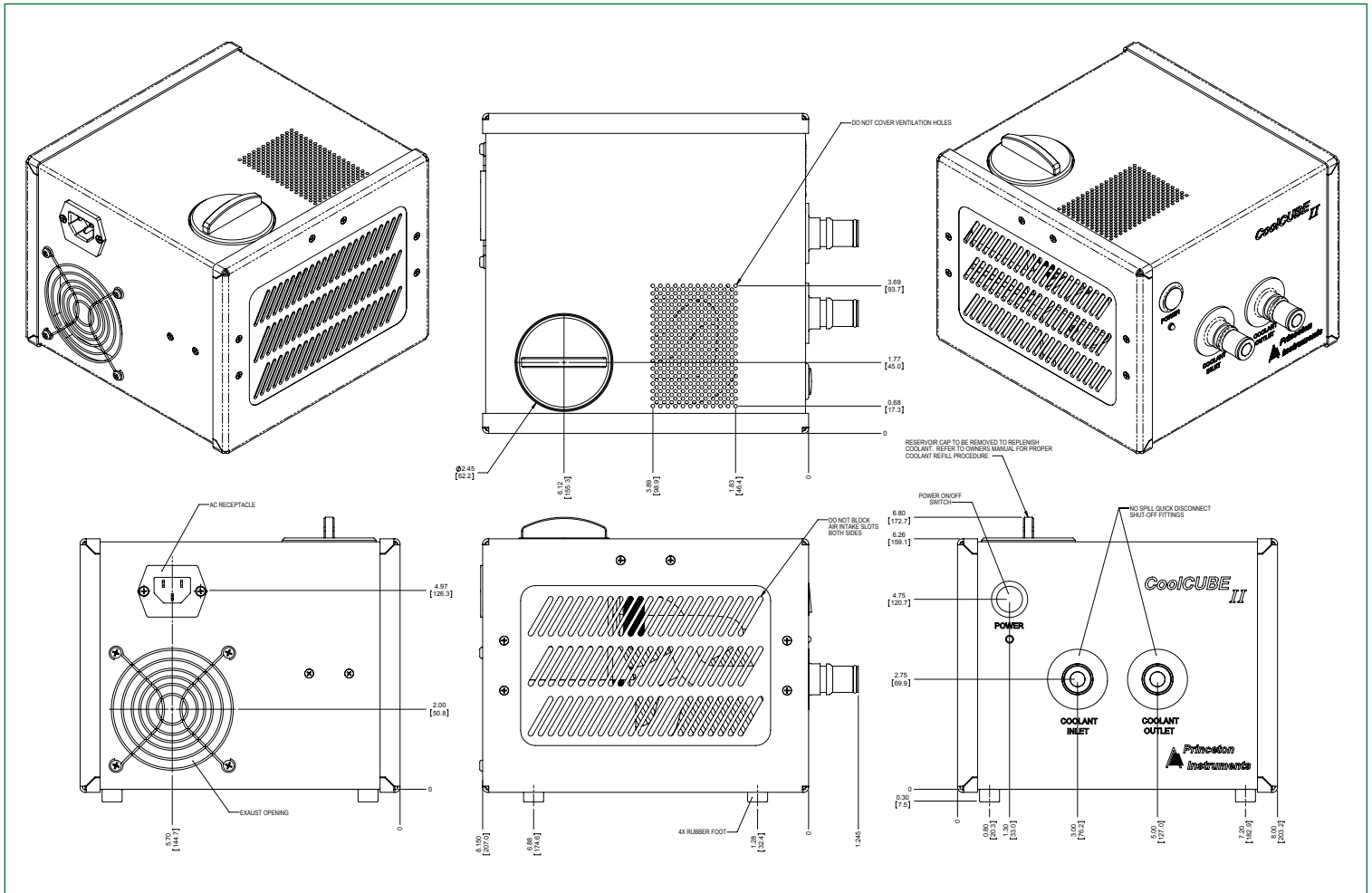


FEATURES	SPECIFICATIONS
Cameras supported	PIXIS, ProEM-HS, PI-MAX4 and NIRvana cameras
Coolant	Water & ethylene glycol (50:50 mixture) at room temperature
Coolant connection type	CoolCUBE II side: 3/8" CPC No-Spill quick disconnect fittings
Maximum coolant head pressure (vertical distance of the camera above the circulator)	3m (10 ft.), hoses are supplied
Flow rate	5.8 liters / min @ 0.00 psi 0 liters / min @ 5.7 psi
Power input	120V/220V, 3A
Dimensions (L x W x H)	20.32cm (8.0") x 20.70cm (8.15") x 15.9cm (6.26")
Operating environment	+5°C to +30°C, non-condensing

Applications:

For vibration and thermally-sensitive imaging, spectroscopy and x-ray applications

CoolCUBE II Drawing



Ordering Information

	Part Number
CoolCUBE II for PIXIS	PIX-CIRC-COOLCUBE
CoolCUBE II for ProEM	PRO-CIRC-COOLCUBE
CoolCUBE II for PI-MAX	PM4-CIRC-COOLCUBE
CoolCUBE II for NIRvana	NRV-640-CIRC-COOLCUBE